

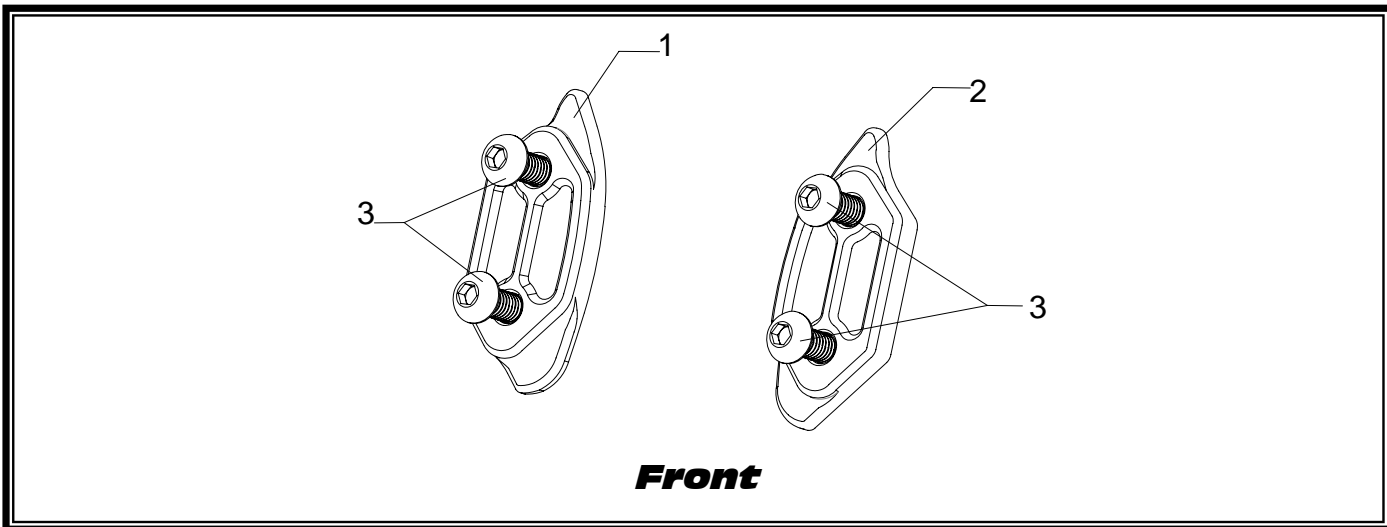


RACING ACCESSORY

APPLICATION

YEAR	MODEL
2010-2012	Yamaha R6
PRODUCT	
900BG136300	Black Mirror Block Off Plate
900CL136300	Clear Mirror Block Off Plate

! This product is not DOT approved. Yoshimura R&D of America, Inc. is not liable or responsible for any resulting event caused by the installation of this product. Check with local laws and regulations for compliance prior to installation and use. This product is not intended for use on public highways.



No.	Part #	Description	Qty
1	900BG136300HR 900CL136300HR	Yoshimura Right Mirror Block Off Plate, Black Yoshimura Right Mirror Block Off Plate, Clear	1
2	900BG136300HL 900CL136300HL	Yoshimura Left Mirror Block Off Plate, Black Yoshimura Left Mirror Block Off Plate, Clear	1
3	M6X25BHS	Button Head Screws	4
**	13630-CFMC-L	Left Carbon Fiber Plate	1
**	1363-CFMC-R	Right Carbon Fiber Plate	1
**	17020C	Yoshimura Sticker Sheet	2

-TOOLS REQUIRED-

Metric Socket Set Combination Wrench Set Torque Wrench
Metric Allen Wrench Set Screwdriver

-REMOVAL-

1. While securely supporting the mirror, remove mirror nuts to remove mirror.
Note: Use caution when removing not to damage rubber mirror fitting. Stock mirror bolt collars will be reused.
2. Repeat removal step for opposite side.

-INSTALLATION-

1. Using the supplied bolts, install Yoshimura mirror block off plates using the stock nuts, rubber mirror fitting, and mirror bolt collars. See diagram for orientation.
2. Repeat step 1 for opposite side.
3. Check all nuts and bolts are tight and secure prior to riding.