



# YOSHIMURA

RESEARCH&DEVELOPMENT OF AMERICA, INC.

5420 DANIELS STREET STE A, CHINO CA., 91710 · (800)634-9166 · (909)628-4722 · FACSIMILE (909)591-2198

[www.yoshimura-rd.com](http://www.yoshimura-rd.com)

## **YOSHIMURA PERFORMANCE EXHAUST SYSTEM**

**2006-2012  
YAMAHA  
R6**

<b>1362272</b>	TRC SLIP-ON SYSTEM WITH CARBON FIBER SLEEVE
<b>1362275</b>	TRC SLIP-ON SYSTEM WITH STAINLESS SLEEVE
<b>1362277</b>	TRC SLIP-ON SYSTEM WITH TITANIUM SLEEVE



**THIS PRODUCT IS DESIGNED FOR USE IN CLOSED COURSE RACING AND IS NOT INTENDED FOR HIGHWAY USE.**



NOTE: IN THE STATE OF CALIFORNIA, IT IS ILLEGAL TO MODIFY THE EMISSION CONTROL SYSTEM. WHICH INCLUDES THE CARBURETORS OF ANY VEHICLE.

**Caution:** Exhaust system can be extremely hot. Let motorcycle cool down before beginning installation.

**Note:** Read through all instructions before beginning installation.

## Tools Needed:

11 and 12mm socket  
3/8" ratchet and extension  
10mm wrench  
4mm, 5mm, and 6mm allen wrench  
Torque wrench

## Installation Steps:

- 1 Remove right side fairing.
- 2 Remove black cover that hides the exhaust valve (see Fig. 1).
- 3 Disconnect and remove the exhaust valve cables (see Fig. 2 and refer to your service manual for complete removal instructions).

**NOTE:** Do not unplug servo motor. Unplugging the servo motor may cause the bike to run in a power limited fail safe mode.

- 4 Remove stock muffler by removing stock muffler mount bolt and loosening stock exhaust clamp (see Fig. 2).

**Note:** For 2010-11 models, removal of tailpipe ring and gasket may be necessary.

- 5 Slide supplied collector clamp over inlet of Yoshimura TRC muffler and install TRC muffler using the stock bolt and washer (see Parts Diagram on page 3).
- 6 Torque muffler mount bolt to 2.3 kgf-m (16.5 lb-ft).
- 7 Torque supplied collector clamp to 1.1 kgf-m (8 lb-ft).
- 8 Reinstall right side fairing.
- 9 It is recommended that the muffler be wiped down with rubbing alcohol to remove oil and fingerprints. This will help prevent tarnishing of the finish after the exhaust is heated up.
- 10 Check for proper clearance between new exhaust system and motorcycle. (i.e. Swing-arm, body work, etc.) If any problem is found, please carefully follow through the installation steps again. If problem still persists, please call Yoshimura technical department at (800)634-9166 / in CA (909)628-4722.

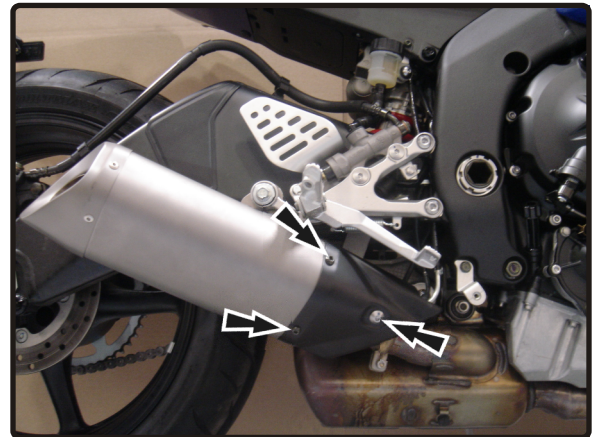


Fig. 1

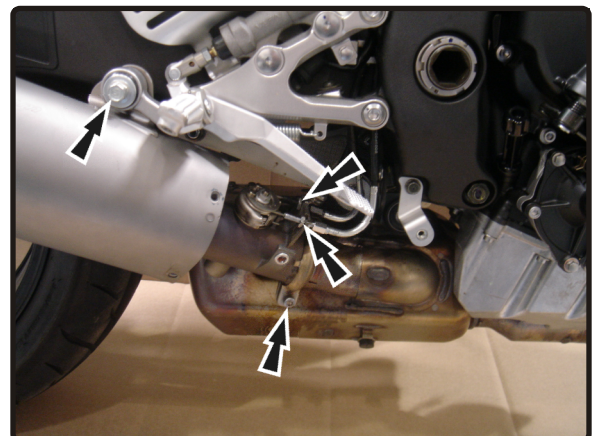
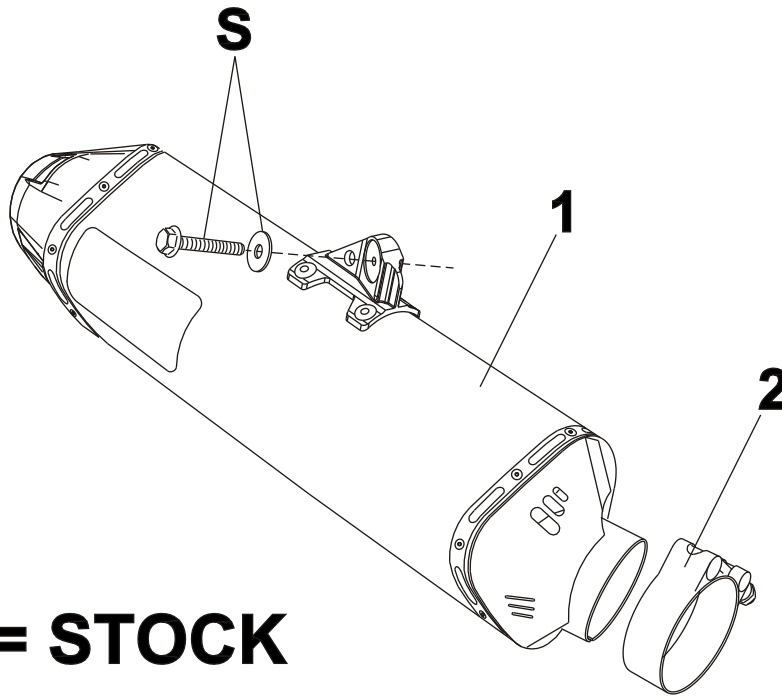


Fig. 2

**Note:** After starting motorcycle, it is normal for new exhaust system to smoke until oil residue burns off.

**#136227(2,5,7)**



Parts Diagram

<b>NO.</b>	<b>DESCRIPTION</b>	<b>QTY</b>	<b>PART #</b>
1	Yoshimura Slip-On Muffler with Carbon Fiber Sleeve with Stainless Steel Sleeve with Titanium Sleeve	1	1362272-RMA 1362275-RMA 1362277-RMA
2	Exhaust Collector Clamp	1	22059
**	Yoshimura Vinyl Sticker	1	17029