



YOSHIMURA

RESEARCH&DEVELOPMENT OF AMERICA, INC.

5420 DANIELS STREET STE A, CHINO CA., 91710 · (800)634-9166 · (909)628-4722 · FACSIMILE (909)591-2198

www.yoshimura-rd.com

PERFORMANCE EXHAUST SYSTEM

Honda CBR300R

123000J220 (CF/CF)

123000J520 (SS/CF)

R-77 Stainless Steel Full-System Exhaust



THIS PRODUCT IS DESIGNED FOR USE IN CLOSED COURSE RACING AND IS NOT INTENDED FOR ANY OTHER USE.

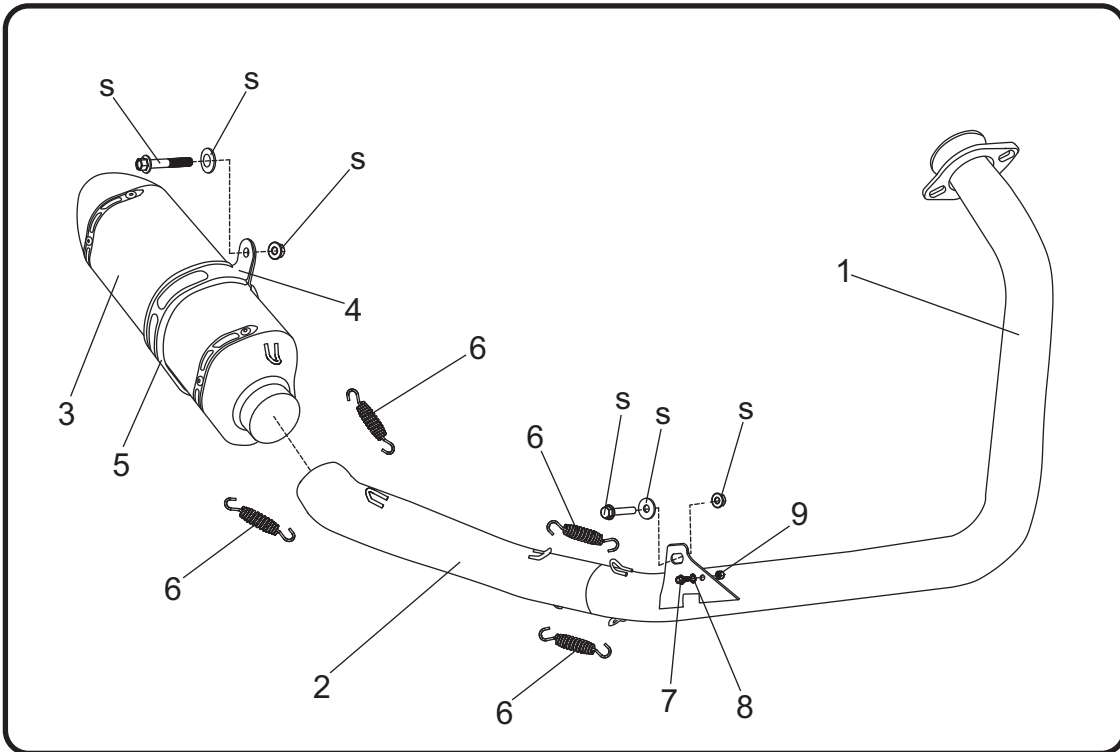


You must know how to remove and replace your stock exhaust in order to install this product otherwise have it installed by a professional mechanic. Keep all stock parts from your existing system as some components may be necessary to install your new Yoshimura exhaust depending on the application. Read through all instructions before beginning installation. Exhaust system can be extremely hot. Let motorcycle cool down before beginning installation. Always wear hand and eye protection and take precautionary measures to avoid injury.



NOTE: IN THE STATE OF CALIFORNIA, IT IS ILLEGAL TO MODIFY THE EMISSION CONTROL SYSTEM, WHICH INCLUDES THE CARBURETORS OF ANY VEHICLE.

Assembly Diagram



No.	Item	Description	Qty.
1	12300-401	Yoshimura Header	1
2	12250-418	Yoshimura Tailpipe	1
3	CRR77M14S SRR77M14S	Carbon Fiber Muffler Stainless Steel Muffler	1
4	YM7M-MPCA(X)	Muffler Clamp	1
5	HT SHLDR77	Muffler Clamp Heatshield	1
6	RACE-SPS-1	Medium Exhaust Spring	4
7	M6X14H-F	6mm x 14mm Flanged Hex Head Bolt	1
8	6MMLCKWSHR-TH	6mm Tooth Lock Washer	1
9	6MMNUT	6mm Hex Nut	1
**	M18X13PLG	O2 Sensor Bung Plug	1
**	INS-04-K	Low Volume Insert	1
**	ST-200	Spring Puller Tool	1
**	17029	Sticker Kit Sheet	1

(X) Used for stainless steel muffler canister.
 ** Not shown in diagram.

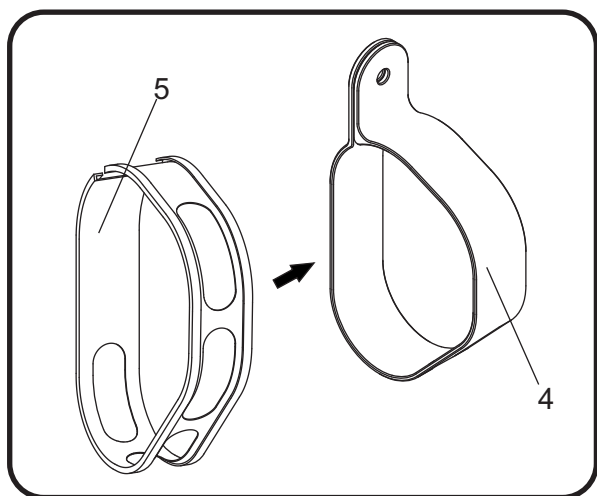
Removal

1. Loosen the exhaust clamp on the inlet of the stock muffler assembly.
2. While supporting the stock muffler assembly, remove the muffler mount bolt securing the muffler assembly to subframe.
3. Carefully remove muffler assembly off of the header by sliding toward the rear of the bike.
4. Remove the right side lower fairing bolt to access the header chassis mount bolt.
5. Remove bolt securing the ground wire to the stock header.
6. Remove the chassis mount bolt securing the stock header to chassis.
7. Remove the stock O2 sensor from the stock header.
8. While supporting the stock header, remove the header nuts and carefully remove the stock header.

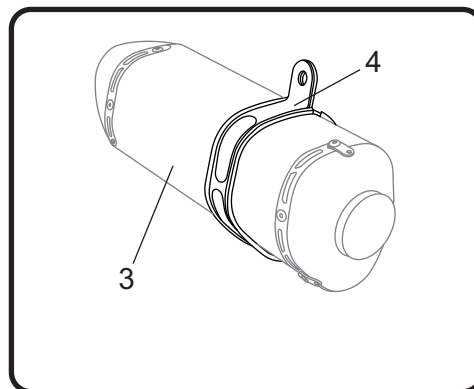
Note: The stock exhaust port gasket will be re-used with the Yoshimura Full-System exhaust. Inspect and replace if necessary.

Installation

1. Install (No. 5) *HT SHLDR77*, muffler clamp heatshield onto (No. 4) *YM7M-MPCA(X)*, muffler clamp.



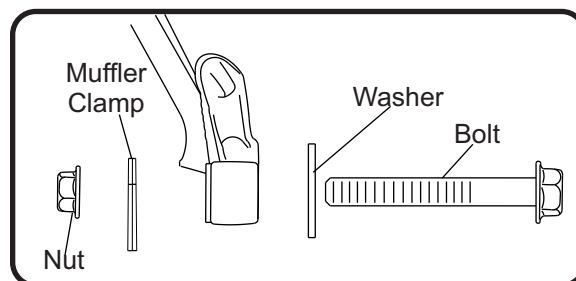
2. Slide (No.4) *YM7M-MPCA(X)*, muffler clamp over Yoshimura muffler.



3. Install (No. 1) *12300-401*, Yoshimura header using the stock header nuts. Do not torque at this time.

Note: Install provided *M18X13PLG*, O2 sensor bung plug into header if additional O2 sensor will not be used.

4. Secure (No. 1) *12300-401*, Yoshimura header to chassis using the stock chassis mount bolt, washer, and nut. See assembly diagram for proper orientation. Do not torque at this time.
5. Secure the stock header ground wire to (No. 1) *12300-401*, Yoshimura header using (No. 7) *M6X14H-F*, 6mm bolt, (No. 8) *6MMLCKWTHR-TH*, tooth lock washer, and (No. 9) *6MMNUT*, 6mm nut.
6. Install (No. 2) *12250-418*, Yoshimura tailpipe into (No. 1) *12300-401*, Yoshimura header.
7. Align (No. 4) *YM7M-MPCA(X)*, muffler clamp to the inside of the stock muffler mount and secure using the stock bolt, washer, and nut. See diagram for proper orientation and order of hardware.



8. Standing at the back of the motorcycle, check for proper alignment of the muffler. Adjust if necessary.

Note: To adjust fitment, it may be necessary to rotate the tailpipe or the muffler independently until proper alignment of the muffler is achieved.

9. Torque muffler mount bolt to 23 Nm (2.3 kg-m, 16.5 ft-lb).
10. Install (No. 6) *RACE-SPS-1*, medium exhaust springs onto header and tailpipe connection.
11. Torque the stock header chassis mount bolt to factory specification.
12. Torque header nuts to factory specification.
13. Re-install the stock O2 sensor into (No. 1) *12300-401*, Yoshimura header. Torque to factory specification.
14. Re-install the lower right side fairing bolt.
15. Before starting vehicle, check for proper clearance between new exhaust system and rear suspension (i.e. tire, swingarm, brakes, rear shock, engine and etc.) If any problem is found, please carefully follow through the installation steps again. If problem still persists, please call Yoshimura Tech Department at (800) 634-9166 / in CA (909) 628-4722.
16. It is recommended that the muffler and tailpipe be wiped down with rubbing alcohol to remove oil and fingerprints. This will help prevent tarnishing of the finish after the exhaust is heated up.

Note: After starting vehicle, it is normal for new exhaust system and muffler to emit smoke until oil residue burns off.