



# PERFORMANCE EXHAUST SYSTEM

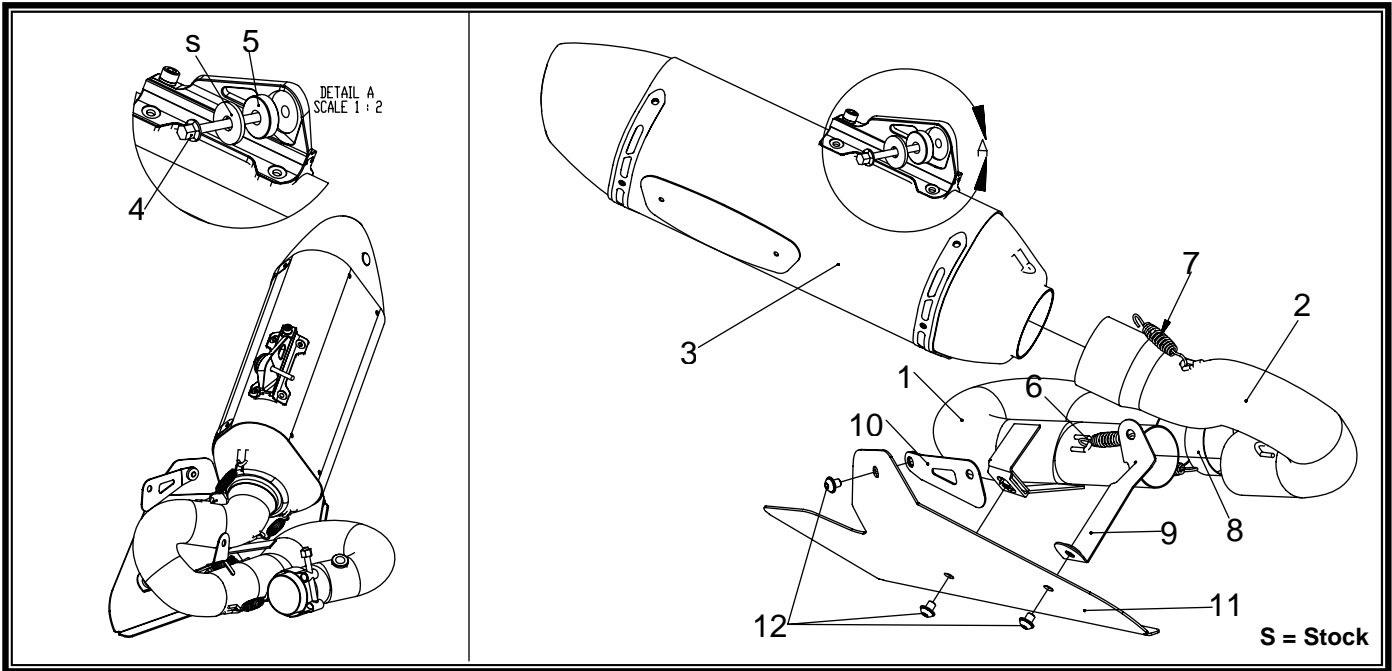
**APPLICATION**

YEAR	MODEL
2012	Honda CBR1000RR

**PRODUCT**

1220020220	R77 Slip-On System with Carbon Fiber Sleeve; Carbon Fiber Endcap
1220020520	R77 Slip-On System with Stainless Steel Sleeve; Carbon Fiber Endcap
1220020550	R77 Slip-On System with Stainless Steel Sleeve; Stainless Steel Endcap

- ⚠ This product is designed for use in closed course racing and is not intended for highway use. In the state of California, it is illegal to modify the emission control system, which includes the fuel injection of any vehicle.
- ⚠ You must know how to remove and replace your stock exhaust in order to install this product otherwise have it installed by a professional mechanic. Keep all stock parts from your existing system as some components may be necessary to install your new Yoshimura exhaust depending on the application.
- ⚠ Read through all instructions before beginning installation. Exhaust system can be extremely hot. Let motorcycle cool down before beginning installation. Always wear hand and eye protection and take precautionary measures to avoid injury.



No.	Part #	Description	Qty
1	1201-435-A	Yoshimura Tailpipe	1
2	1201-436	Yoshimura Tailpipe	
3	1201202-RMA 1201205-RMA	Yoshimura Muffler Carbon Fiber Sleeve Stainless Steel Sleeve	1
4	M8X50	8mm x 50mm Socket Head Cap Screw	1
5	8X7SPC	Aluminum Spacer	1
6	RACE-SPX-1	Small Exhaust Spring	2
7	RACE-SPS-1	Medium Exhaust Spring	2
8	20060	Exhaust Clamp	1
9	12200-HSBRKT1	Yoshimura Heatshield Bracket 1	1
10	12200-HSBRKT3	Yoshimura Heatshield Bracket 3	1
11	12200-HS-00	Yoshimura Heatshield	1
12	RC116HSB-BK	Black Heatshield bolts	3
**	M12X8H	12mm x 8mm Flanged Hex Head Bolt	1
**	12MMCW	12mm Copper Crush Washer	1
**	ST-200	Spring Puller Tool	1
**	INS-04-K	Low Volume Sound Insert	1
**	17029	Yoshimura Sticker Sheet	1

**-TOOLS REQUIRED-**

Metric Socket Set  
Combination Wrench Set  
Torque Wrench  
Metric Allen Wrench Set

**-REMOVAL-**

1. **Remove lower fairings as per Factory Service Manual.**
2. **Remove small undertail cover to expose exhaust control valve servo.**
  - a) **Mark servo cam position.**
  - b) **Turn servo clockwise to loosen cable tension and remove cable from cam.**
  - c) **Return cam to original position. (Note: Cam must be returned to its original position to prevent check engine light. Cable will be removed with muffler. )**



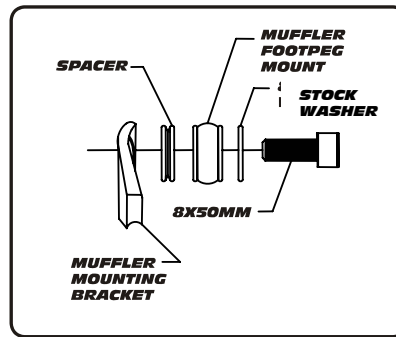
3. **Loosen muffler clamp bolt.**
4. **Remove muffler mount bolt.**
5. **Loosen right rearset mounting bolts to ease stock muffler removal.**

**-INSTALLATION-**

1. **Remove lower header chassis mount bolt and install heatshield bracket using the stock bolt.**



2. **Slide supplied exhaust clamp onto Yoshimura tailpipe and install tailpipe onto stock header.**  
**Note: Stock exhaust gasket will NOT be used with the Yoshimura system.**
3. **Install Yoshimura muffler onto tailpipe.**
  - a) **Bolt muffler to stock location on right rearset.**
  - b) **Torque rearset bolts to 37Nm. (3.7kg-m, 29lb-ft)**



4. Torque header chassis mount bolt to 22Nm. (2.2kg-m, 16lb-ft)
5. Torque muffler mount bolt to 23Nm. (2.3kg-m, 16.5lb-ft)
6. If O2 sensor is not to be used, install supplied bolt and crush washer in O2 sensor bung on Yoshimura tailpipe. Torque to 23Nm. (2.3kg-m, 16.5lb-ft)
7. Install heatshield bracket to fairing mount using stock bolt. See diagram for orientation.
  - a) Leave bracket loose to ease alignment of heatshield with heatshield bracket.
  - b) Install Yoshimura heatshield using supplied heatshield bolts. Torque to 10Nm. (1.0kg-m, 8lb-ft)

Note: The use of blue threadlock or "loc-tite" is recommended.



8. Reinstall lower fairing and exhaust control valve servo cover.

1. *Fitment check and Notes.*

- a) Before starting motorcycle, check for proper clearance between new exhaust system and rear suspension (i.e. tire, swing-arm, brake, rear shock, engine, and etc.) If any problem is found, please carefully follow through the installation steps again. If problem still persists, please call Yoshimura Tech Department at (800) 634-9166 / in CA (909) 628-4722.
- b) It is recommended that the muffler and tailpipe be wiped down with rubbing alcohol to remove oil and fingerprints. This will help prevent tarnishing of the finish after the exhaust is heated up.
- c) NOTE: After starting motorcycle, it is normal for new exhaust system and muffler to emit smoke until oil residue burns off.