



YOSHIMURA

RESEARCH&DEVELOPMENT OF AMERICA, INC.

5420 DANIELS STREET STE A, CHINO CA., 91710 · (800)634-9166 · (909)628-4722 · FACSIMILE (909)591-2198

www.yoshimura-rd.com

YOSHIMURA PERFORMANCE EXHAUST SYSTEM

**2008-2011
HONDA
CBR1000RR**

1202202	R-77 SLIP-ON SYSTEM WITH CARBON FIBER SLEEVE
1202205	R-77 SLIP-ON SYSTEM WITH STAINLESS STEEL SLEEVE
1202206	R-77 SLIP-ON SYSTEM WITH SS SLEEVE & SS ENDCAP
1202207	R-77 SLIP-ON SYSTEM WITH TITANIUM SLEEVE



THIS PRODUCT IS DESIGNED FOR USE IN CLOSED COURSE RACING AND IS NOT INTENDED FOR HIGHWAY USE.



NOTE: IN THE STATE OF CALIFORNIA, IT IS ILLEGAL TO MODIFY THE EMISSION CONTROL SYSTEM, WHICH INCLUDES THE FUEL INJECTION SYSTEM.

Caution: Exhaust system can be extremely hot. Let motorcycle cool down before beginning installation. Always wear hand and eye protection and take precautionary measures to avoid injury.

Tools Needed:

Metric Socket Set
3/8" Ratchet and Extension
Metric Combination Wrench Set
Metric Allen Wrench Set
Torque Wrench

Installation Steps:

1. Remove Stock Muffler
 - Remove rear bolt on lower left cowl.
 - Remove exhaust valve control cover (Located under tail).
 - Detach cable from servo motor. (See Fig. 1)
Note: Cable will be removed with muffler.
 - Loosen muffler clamp.
 - Remove muffler mounting bolt.
 - Loosen right rearset bolts. (Fig. 2)
 - Remove muffler.
2. Install Heatshield bracket.
 - Remove lower header chassis mount bolt. (Fig. 3)
 - Install Yoshimura heatshield bracket.
 - Note: Insert heatshield bracket tab into slot in stock header mounting bracket. Torque to factory specifications.
3. Insert supplied clamp onto Yoshimura tailpipe and install tailpipe onto stock header.
Note: Stock gasket is **NOT** used. It is recommended to use an anti-seize compound on header to tailpipe connection surface.
4. Install Yoshimura muffler onto tailpipe.
5. Torque to right rearset bolts to factory specifications.
6. Torque muffler clamp bolt to 9.5 Lb-ft (13 Nm). Install exhaust springs using supplied spring puller tool.
7. Bolt muffler to stock mounting location using supplied bolt, stock washer and supplied spacer. Torque to 9.5 Lb-ft (13 Nm). (See parts diagram for orientation)

NOTE: It is recommended that the muffler and tailpipe be wiped down with rubbing alcohol to remove oil and fingerprints. This will help prevent tarnishing of the finish after the exhaust is heated up.

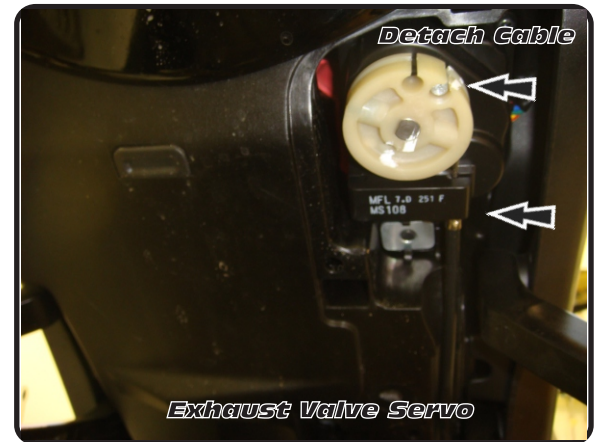


Fig. 1



Fig. 2

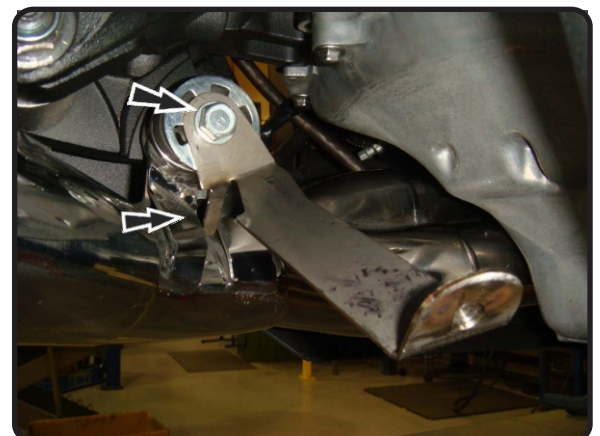


Fig. 3

8. Reinstall lower left cowl bolt and exhaust valve control cover.
9. Check for proper clearance between new exhaust system and rear suspension (i.e. tire, swing-arm, brake, rear shock etc).

Adjustment of tailpipe and/or muffler may be necessary to achieve desired fit.

Note: If bike does not come with O2 sensor install supplied 12mm bolt and crush washer into Yoshimura tailpipe.

If any problem is found, please carefully follow through the installation steps again. If problem still persists, please call Yoshimura technical department at (800) 634-9166 / in CA (909) 628-4722 .

**** NOTE:** After starting the vehicle, it is normal for a new exhaust system and muffler to emit smoke until oil residue burns off.



Fig. 4

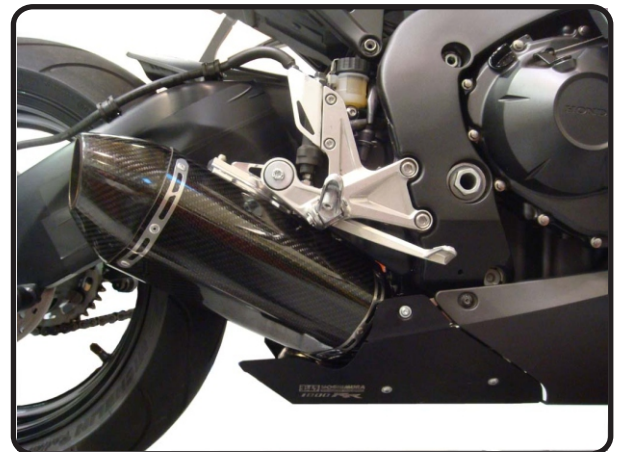


Fig. 5

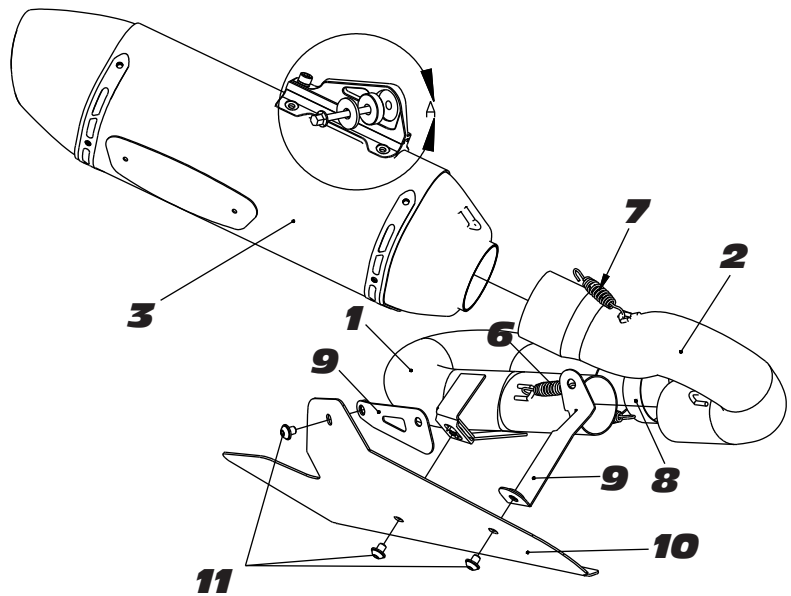
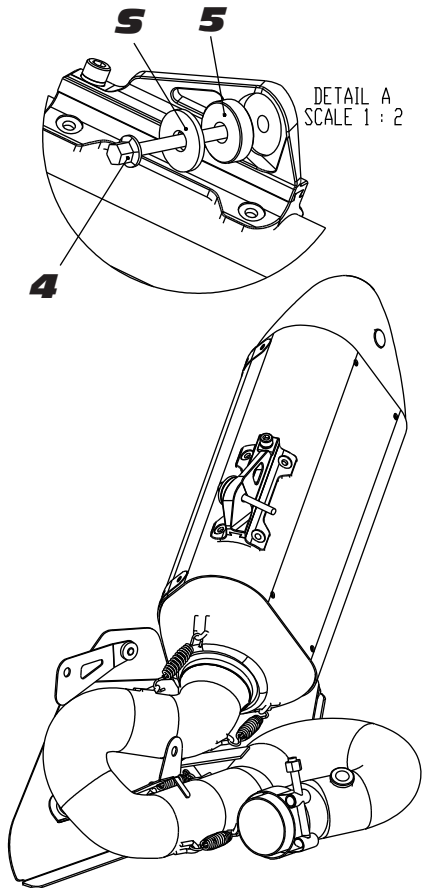
Heatshield Installation:

1. Install heatshield bracket to fairing mount using stock bolt.
 - See Fig. 4 for location.
 - Leave bracket loose to ease alignment of heatshield with heatshield bracket.

2. Install Yoshimura heatshield using supplied heatshield bolts. Torque to 8 lb-ft.

-Note: Use of blue threadlock or "loc-tite" is recommended.

#120220(2,5,6,7)



S = STOCK

Parts Diagram

NO.	DESCRIPTION	QTY	PART #
1	Yoshimura Stainless Steel Tailpipe	1	1201-435-A
2	Yoshimura Stainless Steel Tailpipe	1	1201-436
3	R-77 Muffler Assembly	1	
	Carbon Fiber Sleeve with Carbon Fiber Endcap		1201202-RMA
	Stainless Steel Sleeve with Carbon Fiber Endcap		1201205-RMA
	Stainless Steel Sleeve with Stainless Endcap		1201206-RMA
	Titanium Sleeve with Carbon Fiber Endcap		1201207-RMA
4	8mmX50mm Socket Head Screw	1	M8X50
5	Aluminum Spacer	1	8X7SPC
6	Small Exhaust Springs	2	RACE-SPX-1
7	Medium Exhaust Springs	2	RACE-SPS-1
8	Collector Clamp	1	20060
9	Yoshimura Heatshield Bracket Set	1	1201-HSBRKT-00
10	Yoshimura Heatshield	1	1201-HS-00
11	Yoshimura Heatshield Bolts	3	RC116HSB-BK
**	12mmX8mm Flanged Hex Head Bolt	1	M12X8H
**	M12 Copper Crush Washer	1	12MMCW
**	Yoshimura Spring Puller Tool	1	ST-200
**	Yoshimura Sound Insert Kit (included w/ CF Endcap)	1	INS-04-K
**	Yoshimura Sound Insert Kit (included w/ SS Endcap)	1	INS-03-K
**	Yoshimura Vinyl Sticker	1	17029

