




Fender Eliminator Kit

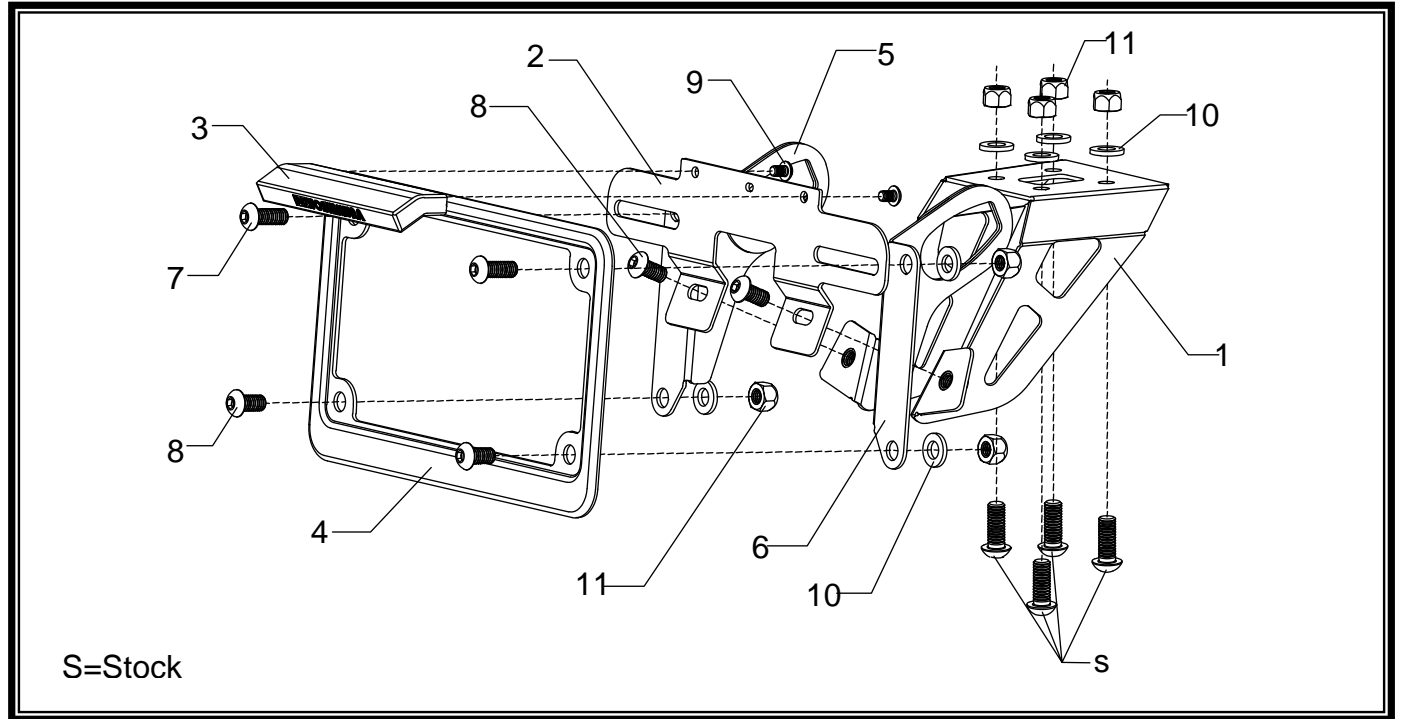
APPLICATION

MAKE	MODEL
Kawasaki	ZX10R ZX6R

PRODUCT

070BG141702	Fender Eliminator Kit
-------------	-----------------------

 This product is not DOT approved. Yoshimura R&D of America, Inc. is not liable or responsible for any resulting event caused by the installation of this product. Check with local laws and regulations for compliance prior to installation and use. This product is not intended for use on public highways.



S=Stock

No.	Part #	Description	Qty
1	14170-FEB	Yoshimura Fender Eliminator Bracket	1
2	12200-FEBKT	Yoshimura License Plate Bracket	1
3	070BG-LH-K	Yoshimura LED Fender Eliminator Light	1
4	070BG-LPF	Yoshimura License Plate Frame	1
5	14650-TSL-BKT	Left Turn Signal Bracket	1
6	14650-TSR-BKT	Right Turn Signal Bracket	1
7	M6X16BHS	6mm x 16mm Button Head Screw	2
8	M6X12BHS	6mm x 12mm Button Head Screw	4
9	M4X6BHS	4mm x 6mm Button Head Screw	2
10	6MMWASHER	6mm Flat Washer	8
11	6MMLN	6mm Nylon Lock Nut	8
**	ZT-200	Zip Ties	3
**	94785-01-ND	Butt Connectors	2
**	17029	Yoshimura Sticker Sheet	1

-TOOLS REQUIRED-

Metric Socket Set • Combination Wrench Set • Metric Allen Wrench Set

-REMOVAL-

- 1. Remove tail cowl or passenger seat. Disconnect license plate light and turn signal connectors.***
- 2. Remove stock fender and turn signals by removing the (4) bolts securing stock fender assembly to subframe.***
- 3. Remove stock turn signals from stock fender assembly by removing the screw and plate securing the turn signals to fender assembly.***
- 4. Cut the stock license plate light connector from the stock fender harness. BE SURE TO CUT AT LEAST A 6" SECTION OF WIRE FROM THE CONNECTOR.***

-INSTALLATION-

- 1. Install Yoshimura fender eliminator bracket using the (4) stock bolts in conjunction with the washers and lock nuts supplied in the kit. See diagram for proper orientation and order of hardware.***
- 2. Install Yoshimura LED fender eliminator light to license plate bracket using the (2) 4mm screws provided in the kit. Using the connectors in the kit, connect the Yoshimura Fender Eliminator wires to the stock license plate light connector as follows: Red wire goes to Red wire; Black wire goes to Black w/ Yellow stripe.***
- 3. Install stock turn signals onto Yoshimura turn signal brackets and secure using stock turn signal plate and screw.***
- 4. Install Yoshimura license plate bracket onto Yoshimura fender eliminator bracket. See diagram for proper orientation and order of hardware.***
- 5. Install Yoshimura license plate frame and turn signal brackets according to the diagram.***
- 6. Route wiring through hole in bracket, then through tail section to stock location. Re-connect license plate light connector and turn signal connectors to stock harness. Use provided cable ties to secure license plate light wires in the tail section.***
- 7. Re-install rear seat.***
- 8. Check for function of license plate light and turn signals and that all brackets and components are secure prior to riding.***