


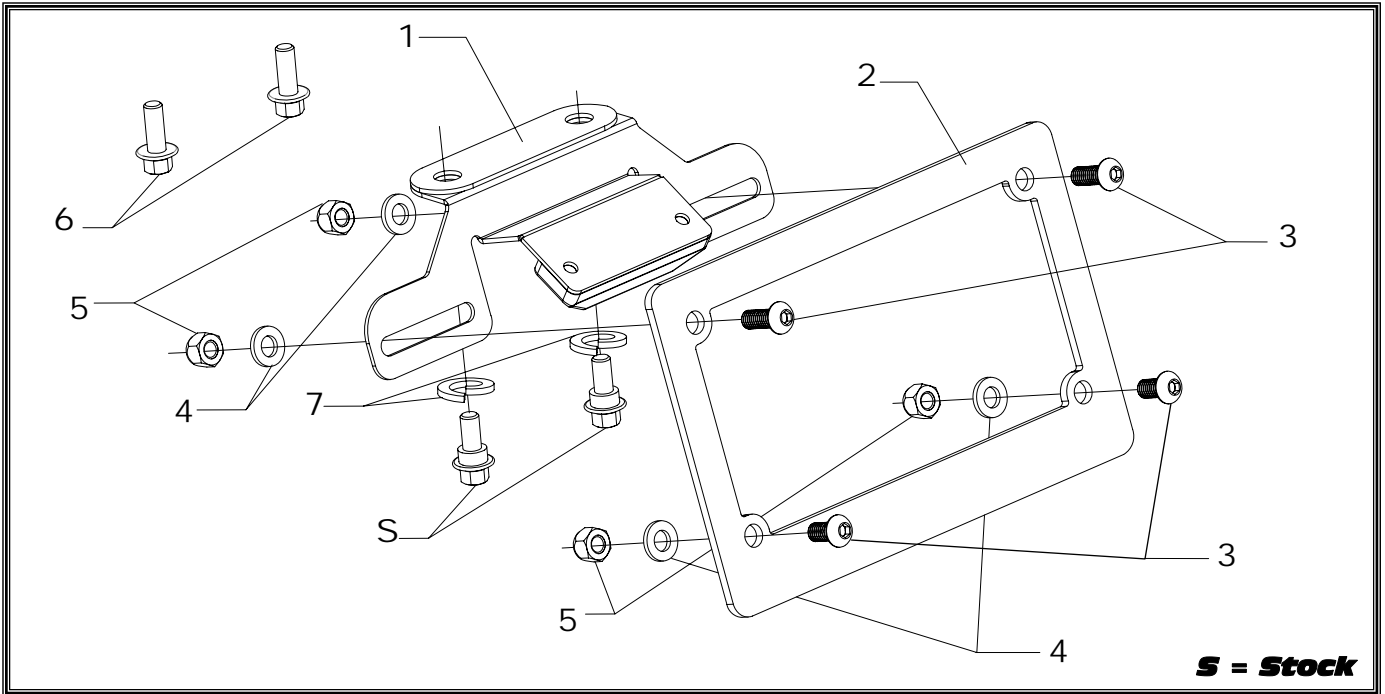


Fender Eliminator Kit

APPLICATION

YEAR	MODEL
2011-2012	Suzuki GSXR 600 / 750
PRODUCT	
070BG116000	Fender Eliminator Kit

 This product is not DOT approved. Yoshimura R&D of America, Inc. is not liable or responsible for any resulting event caused by the installation of this product. Check with local laws and regulations for compliance prior to installation and use. This product is not intended for use on public highways.



No.	Part #	Description	Qty
1	070BG-LPB5-01	Yoshimura License Plate Bracket	1
2	070BG-LPF	Yoshimura Aluminum License Plate Frame	1
3	M6X12BHS	6mm x 12mm Button Head Screw	4
4	6MMWASHER	6mm Washer	4
5	6MMLN	Nylon Lock Nut	4
6	M6X16H	6mm x 16mm Bolt	2
7	10MMLOCKWASHER	10mm Lock Washer	2
**	94785-01-ND	Butt Connectors	2
**	17029	Yoshimura Sticker Sht	1

-TOOLS REQUIRED-

Metric Socket Set

Combination Wrench Set

Metric Allen Wrench Set

-REMOVAL-

- 1. Remove right side cowling from the tail section and disconnect license plate light connector.***
- 2. Remove stock fender by removing the (4) bolts.***
- 3. Cut the stock license plate light connector from the stock fender. BE SURE TO CUT AT LEAST A 6" SECTION OF WIRE FROM THE CONNECTOR.***

-INSTALLATION-

- 1. Using the connectors provided in the kit, connect the Yoshimura Fender Eliminator wires to the stock license plate light connector as follows: Brown wire goes to orange wire; Black/white wire goes to black wire.***
- 2. Install Yoshimura Fender Eliminator kit as shown in the parts diagram.
(Note: Stock shoulder bolts are used to mount the Yoshimura Fender Eliminator bracket. Use provided 6mm x 16mm bolt to cover the 2 stock fender mounting holes.)***
- 3. Route wiring through hole in bracket, then through tail section to stock location. Connect license plate light connector to stock harness.***
- 4. Check for function of license plate light and that all brackets and pieces are secure prior to riding.***