

HONDA NC700S/X STREET SPORTS SLIP-ON R-77J STAINLESS END / CARBON END

Be sure to read the instruction carefully before starting the work. It is necessary to follow the contents for installing the Yoshimura Slip-on.

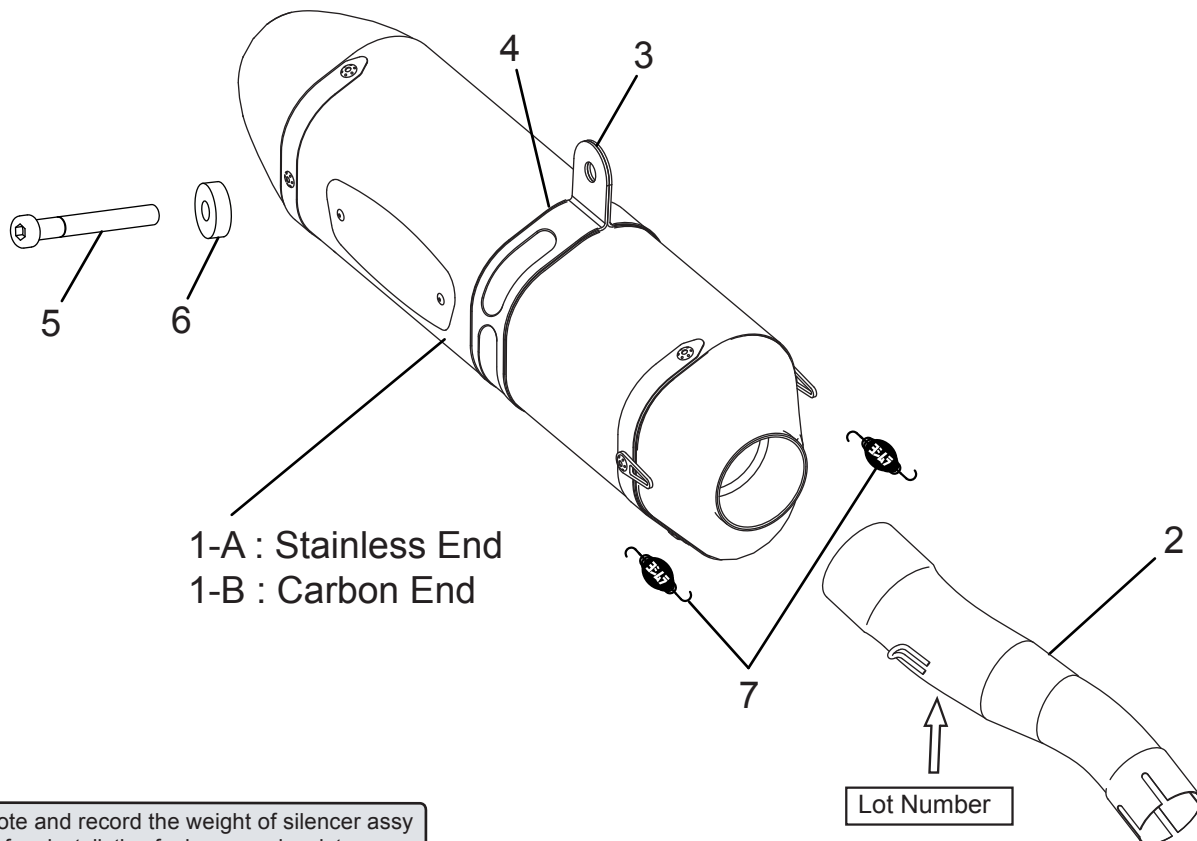
1. Product Information:

Description	Honda NC700S/X Street Sports Slip-On R-77J	Main Material	Stainless Steel
	Stainless End / Carbon End		Stainless Sleeve ; 180-47A-5V50
Cyclone Type	HSR47AS77C1	Part Number (Stainless End)	Metal Magic Sleeve ; 180-47A-5V20
Weight [STD; 3.7kg]	Stainless End / (SS)&(SM) : 2.8kg, (ST) : 2.6kg		Titanium Sleeve ; 180-47A-5V80
	Carbon End / (SS)&(SM) : 2.7kg, (ST) : 2.5kg	Part Number (Carbon End)	Stainless Sleeve ; 180-47A-5W50
Applicable Model	Honda NC700S/X		Metal Magic Sleeve ; 180-47A-5W20
Type of Engine	RC61E	Titanium Sleeve ; 180-47A-5W80	

2. Contents:

No.	Descriptions	Part No.	Q'ty	No.	Descriptions	Part No.	Q'ty
1-A	Silencer Assy, Stainless Sleeve	186-225-5V50	1	2	Tailpipe	115-47A-5V00	1
	Silencer Assy, Metal Magic Sleeve	186-225-5V20		3	Silencer Band	162-CLX-1121	1
	Silencer Assy, Titanium Sleeve	186-225-5V80		4	Silencer Band Rubber	896-016-0835	1
1-B	Silencer Assy, Stainless Sleeve	186-225-5W50		5	Cap Bolt M8x65	800-208-5065	1
	Silencer Assy, Metal Magic Sleeve	186-225-5W20		6	Spacer 8-26-12	860-008-2612	1
	Silencer Assy, Titanium Sleeve	186-225-5W80		7	Exhaust Spring	118-001-0000	2

Parts Diagram



! Note and record the weight of silencer assy before installation for inner wool maintenance.